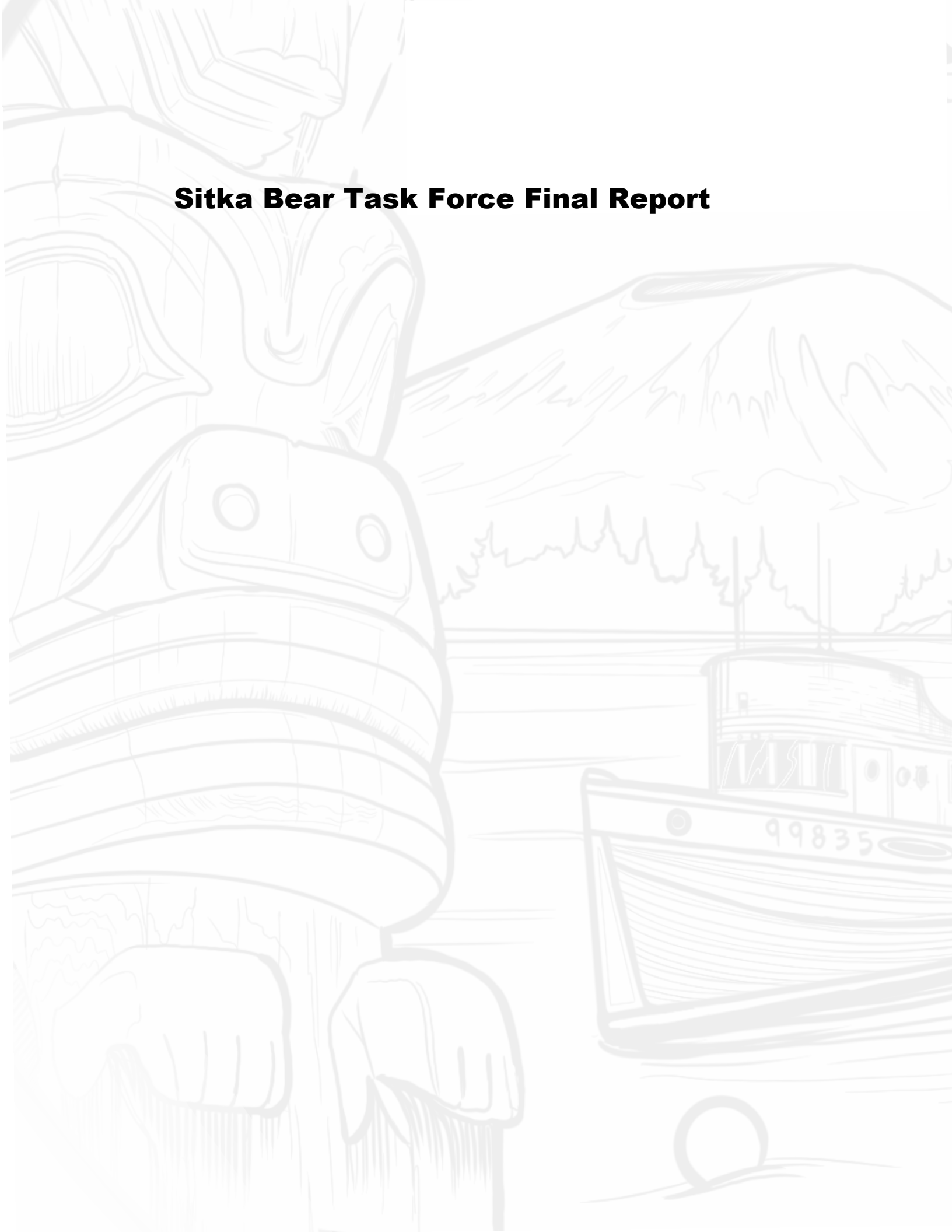


Sitka Bear Task Force Final Report



TO: Sitka City and Borough Assembly

THRU: SCB Clerk

RE: Report on Assembly's Request for Sitka Bear Task Force

Introduction:

On October 26, 2021 ADFG biologist Stephen Bethune brought concerns to the assembly's attention, along with the total of 14 bears euthanized in the community in 2021.

In a memo dated March 1, 2022 by Assembly Members Himschoot and Duncan A new task force should review previous suggestions, investigate efforts in other communities, and report back to the assembly in six months. Any recommendations that include an expense should come with funding opportunities such as grants, if possible. The new bear task force should include a representative from the Alaska Department of Fish and Game (ADFG), the Sitka Police Department, the Public Works Department, Alaska Waste Management, Sitka National Historical Park, the Sitka Tribe of Alaska, Baranof Island Housing Authority, the Sitka Conservation Society, the Fortress of the Bear, two at-large seats, and an assembly liaison.

Task Force Members include:

Robert Baty, Stephen Bethune (Non Voting), Lillian Feldpausch, Harry Greene, Michael Harmon, Trenton Hammock, Olivia Magni, Martha Moses, Bradley Shaffer, Andrew Thoms, Claire Turner, Alix Snelling

The problem bear issue was on the agenda at nine consecutive meetings: 4/21, 5/5, 6 /2, 7/7, 8/4, 9/1, 10/6, 11/3 and 1/10.

4/21/2022 Meeting

At the first meeting the Task Force duties were summarized as explained in the CBS memo dated 03/01/22; "A new task force should review previous suggestions investigate efforts in other communities, and report back to the assembly in six months." Meeting Guidelines Were discussed and an overview was provided of the meeting guidelines to include Robert's Rules of Order, and brief explanation of proper email use and information working groups. An Election of Officers (Select a Chair, Vice Chair) took place Martha Moses elected Lillian Feldpausch for Chair, and she accepted and Harry Greene volunteered as Vice Chair. Robert Baty suggested to meet no less than monthly. Bradley Shaffer proposed to meet in two weeks (May 5) and then start a monthly meeting. The group agreed the first Thursday of each month would suffice, except Claire Turner stated she may call in due to work commitments.

5/5/2022 Meeting

Lillian Feldpausch asked for goals and outcomes, invited informal working groups up to 4, avoid serial emails, and look at previous task force work. Robert Baty spoke to reduce negative bear interactions and avoid killing bears. Martha Moses mentioned Stephen Bethune's presentation, desired to address the bear population, and stressed education for subsistence harvesters to dispose of waste. Bradley Shaffer spoke to bears baited for filming. Robert Baty identified goals of education, funding sources for cans, and to make trash unavailable to bears. Olivia Magni recorded bear activity earlier in 2022. Robert Baty told of trash citations last year and was in support of bear-proof cans. Working groups were formed to focus on) bear-proof cans and 2) education and both groups will report at the next meeting. Duncan talked of prevention regarding education, community, collaboration, and funding. State law of dispatching bears was explained, and Martha Moses wondered of data on disease risk from skinning bears. Evening meetings were asked about to encourage public participation.

Results of can test indicated potential with the Kodiak can, and a trash can program should be the goal and to locate funding. Stephen Bethune said an electrified can was tested in the Indian River subdivision and addressed questions about safety of the can.

6/2/2022 Meeting

Andrew Thoms said 4H club cleaned bear caches and distributed bear safety information door hangers and summarized current outreach. Robert Baty relayed the education and prevention working group supported two viable options; 1) Bear proof cans, and 2) electric fences. Can costs were noted and education topics included Defense of Life and Property, schools, disease concerns, and trash disposal. Education outreach options considered

4th of July events, radio, flyers, and QR codes. Harry Greene distributed photos of a damaged bear-resistant wood container and new bear-resistant steel container. Andrew Thoms suggested to check historical bear task force files of cost/benefit can analysis. Bradley Shaffer told of can costs and of pushback from residents about keeping trash inside. Andrew Thoms wondered of how bear-resistant cans are working in Girdwood. Martha Moses voiced concern of apartments without access to sheds or garages, desired the bear population to be addressed in Sitka, and supported bear education. Olivia Magni spoke to a map to ID bears in real-time, a camera trap survey installed at the park, bear hair snares, fish runs at the park, and park plans to educate on bear safety and trash disposal. Andrew Thoms asked for historical bear tracking data from ADF&G, and Robert Baty expressed interest in tracking data.

7/7/2022 Meeting

Andrew Thoms summarized garbage storage issues and solutions the prior bear task force considered. Current efforts include PSA's, door hanger distribution, and residential education. Green said the Transfer Station offers a free account for residents having bear issues to dispose of garbage, which does not count toward their monthly disposal limit. Chair Lillian Feldpausch reminded to be aware of residents with limited transportation. Martha Moses shared concerns from the tribe of those with limited transportation, difficulty following the garbage policy, and wondered of a digital stream identification map. Olivia Magni reiterated house locations are disproportionately affected, e.g., near rivers or trail systems, and told of a stream catalogue available through Fish and Game. Chair Lillian Feldpausch supported a small working group of 3 members to combine garbage storage ideas in areas of high bear traffic. Alix Snelling spoke to the Transfer Station hours.

8/4/2022 Meeting

Robert Baty noted officers continued to respond to bear calls on Sawmill Creek Road. Last year the SPD made approximately 200 contacts regarding bears in trash, the first contact a warning and the second contact a ticket. Chair Lillian Feldpausch voiced interest in seeing a map of ticket locations. Andrew Thoms discussed a Facebook post of a bear killed. Robert Baty explained while brown bears are state-managed, police respond to public safety issues which involve bears when available. He reminded officers can't drop primary calls to respond to bears in garbage. Martha Moses noted an economic divide where trash cans are in areas without garages, or the resident doesn't have ability to transport trash. She reminded of a bear population issue, noted waste of bear meat and hide is against the culture of the tribe, and supported an extra garbage pickup day in high bear traffic areas. Robert Baty discussed although calls are lower this year than last year, its cyclical and tracking annual data may not be a reliable indicator due to bears killed. Chair Lillian Feldpausch told of a bear in garbage and difficulty finding a solution with the current ordinance in place for those without a location to store cans or transport garbage. Andrew Thoms suggested Olivia Magni create and release a map showing citation locations. Robert Baty offered to ask her but cautioned using isolated data to solve the bear problem in Sitka. He noted Girdwood's use of shock pads around canisters. Harry Greene, Andrew Thoms, and Robert Baty discussed information distributed with warnings. Andrew Thoms told of Olivia Magni's idea for a bear issues community survey. He offered to assist with coordinating social service groups to help residents who required help transporting garbage. Harry Greene reminded of the bear garbage account at the transfer station. Chair Lillian Feldpausch supported sharing information with those new to Sitka. Timeline and process of a survey to address bear issues was discussed. Chair Lillian Feldpausch asked each member to send 3 survey questions to her by August 23. A working group to assist with leading the survey was discussed.

9/1/2022 Meeting

Chair Lillian Feldpausch discussed options for a town hall meeting, and if a survey might be included at the meeting along with a presentation. Olivia Magni suggested to set an objective for the town hall meeting, or to recommend a town hall as an Assembly recommendation. Liaison Duncan spoke to the town hall process, and Harry Greene and Martha Moses were in support of community input but wondered of low attendance due to short notice. A discussion was had among the members, liaison, and city staff of holding a town hall, goals to include education, prevention, and protection, and logistics and timing. Members discussed the timing of the task force in summer being a challenge to participate due to busy schedules. Liaison Duncan spoke to hot button issues including the garbage fine, education of Defense of Life and Property, and Kodiak can recommendations. The challenge of

producing recommendations to the Assembly in a 6-month time frame was discussed, as well as completing a report to Assembly. Chair Lillian Feldpausch and Olivia Magni told of potential to not be available, if the task force extended, to represent BIHA and the park service. Liaison Duncan considered a transition to a committee. She suggested to work with Chair Lillian Feldpausch on a report with recommendations for the Assembly, or possibility for the topic of brown bears to be included under Police and Fire Commission.

10/6/2022 Meeting

Robert Baty reported on the bear stats. He stated there had been 71 bear complaints and out of those 10 were repeat offenders. He noted that bear contacts have been lower from last year and that the bears were not as active. Alix Snelling reported that she had been working on a packet of information on upgrading trash cans and hopes to have it completed for the next meeting. John Murray spoke about concerns with the Sitka Sound Science Center hatchery and the attraction to the bears. Zach Gianotti spoke about possible future grants for bear-proof trash cans. The Task Force members had discussions on setting a date and time for a community town hall in November. Deputy Clerk suggested that she would reach out to the Harrigan Centennial Hall staff members to see what room availability there was. Earnshaw said she would email the Task Force with options for the Task Force to decide as a group. Alix Snelling thought that a night evening meeting would be best attended. Robert Baty suggested to the Task Force work on recommendations for the Assembly report for a meeting in January.

11/3/2022 Meeting

Alix Snelling presented the quotes from the three Bear resistant trash can brands Harry Greene and Claire Turner discussed how the three brands held up in testing at Fortress of the Bear. Based on the results the recommendation of the Kodiak Cans will move forward. Andrew Thoms referred to the potential recommendations list presented by Alix Snelling. Martha Moses rejected the recommendation of collaboration with Sitka Police department to issue warnings or citations when new trash cans are requested due to bear damage. Alix Snelling presented a mockup tri-fold with City Ordinance 9.24, tips to clean and deter bears for cans, and location and hours for the transfer station. Stephen Bethune recommended adding the state ordinance 5 AAC 92.230 to the tri-fold. John Murray spoke about concerns with the Sitka Sound Science Center hatchery and the attraction to the bears. Task Force members discussed as a group whether or not to have a town hall meeting. After deliberations it was believed that a town hall would not be beneficial at this time.

12/8/2022 Meeting

Meeting could not be started as there was not a Quorum, Rescheduled to the next meeting date of 1/10/2023.

1/10/2023 Meeting

Final Report was approved with the addition of the results of the Bear Resistant Trash Can Testing at Fortress of the Bear on 23 APR 22.

Opinions and Conclusions of The Sitka Bear Task Force:

1. Bear Resistant Trash Cans
 - To potentially replace the current Trash 64 and 96 gallon cans with Bear Resistant cans. Alix Snelling put together price quotes for the three cans tested at Fortress of the Bear. It is the recommendation that the Kodiak while the more expensive will be better in the long term, it lasted 12 minutes in the testing and was able to be reused instead of needing to be replaced.
2. Citations given with Replacement Bear Damaged Trash Cans
 - Communication with SPD when a request for a new Can is made because of Bear damage
3. Bear Trash Account - Seasonally
 - Advertising the dates it is available along with the Transfer Centers hours using Social Media and Handouts.

4. Trifold for Community reminding of City and State Ordances, Drop off Location & Hours for the Transfer Station, and Tips to keep Bears away from Cans.
 - Can be mailed out at beginning of the Season
 - Given with a citation
 - Given with a replacement Trash Can
 - Available as handouts
 - Included with first utility bill for new accounts

If The Sitka Bear Task Force can be of further assistance on this issue, please let us know.

What can you do to deter Bears from your Trash

Clean your trash containers frequently with ammonia or bleach solutions or use a heavy-duty pine-scented cleaner. Avoid using anything with a fruity or lemony scent to clean trash cans or anything else outside. You can use a heavy-duty air freshener designed to remove odors on the inside of the lid to help cut down odors.

Double bagging trash or using special bags that eliminate or contain odors can help as well. Just remember never to leave plastic bags of trash outside of the container. Of course, don't mix ammonia and bleach; doing so produces dangerous fumes that can be deadly for both people and bears. You can reduce odors that attract bears by keeping smelly items out of the trash until pick up or you're ready to take it to the dump. Keep a bag or container in your freezer for any bits of food, meat, bones, fruit or anything else that's likely to give off odors. Then just throw out the bag the morning of pick up, or when you take your trash to the Transfer Station.

Transfer Station

Alaska Waste
205 Jarvis St
Sitka, AK 99835

Phone:
907-747-8644

Hours:
Monday – Saturday
8AM - 4PM

Materials Accepted:
Sitka Solid Waste

Sitka residents may drop off
up to 200 pounds of waste
for free at the transfer
station per month.

Sitka Bear Task Force 2022

**PLEASE DO YOUR
PART TO KEEP
BEARS WILD**



(Photo courtesy Sitka Bear Report)

Sitka Ordinances

15.06.010 Preparation of refuse.

All refuse shall be drained free from liquids before disposal. Garbage shall be wrapped in paper or similar materials. All cans, bottles, or other food containers shall be rinsed free of food particles and drained before disposal. Toxic, volatile or other hazardous materials are prohibited. (Ord. [05-15](#) § 4(C) (part), 2005.)

9.24.050 Penalties.

A. Each person who owns and/or is in control of property that creates, maintains, or permits a bear attraction nuisance on the property shall be charged with a minor offense. The maximum penalty for violation of the provisions of this chapter is five hundred dollars.

In accordance with AS [29.25.070](#)(a), citations for offenses in this chapter may be disposed of as provided in AS [12.25.175](#) through [12.25.230](#), without a court appearance, upon payment of the fine amounts stated herein plus the state surcharge required by AS [12.55.039](#) and [29.25.074](#). Fines must be paid to the city and borough of Sitka. The Alaska Rules of Minor Offense Procedure in the Alaska Rules of Court apply to all offenses referenced herein. Citations charging these offenses must meet the requirements of Rule 3 of the Alaska Rules of Minor Offense Procedure. For the first offense, the fine shall be fifty dollars. For the second offense, the fine shall be one hundred dollars. For

Sitka Ordinances

the third offense, the fine shall be two hundred dollars. For any subsequent offense after three, the offender must appear in court to answer for the charges. If a person charged with one of these offenses appears in court and is found guilty, the penalty imposed for the offense may not exceed the fine amount for that offense stated herein. These fines may not be judicially reduced. For purposes of this section, prior offenses must be within the previous five years.

B. Each and every day during any portion of which a violation or failure to comply is committed, permitted, or continued, shall be treated as a separate offense, and subject the offender to separate charges and a fine as provided in subsection A of this section.

(Ord. [17-10](#) § 4 (part), 2017; Ord. [12-41](#) § 4 (part), 2012; Ord. [08-09](#) § 4 (part), 2008.)

9.24.010 Definitions

c. Material, that would otherwise be considered a bear attraction nuisance, in a refuse container which is placed for collection **no earlier than four a.m. on refuse collection day, with the material being either collected or removed from the container no later than eight p.m. that same day**

State of Alaska

5 AAC 92.230 Feeding of game.

(a) Except as provided in (b) of this section or under the terms of a permit issued by the department, a person may not (1) negligently feed a moose, deer, elk, sheep, bear, wolf, coyote, fox, wolverine, or deleterious exotic wildlife, or negligently leave human food, animal food, mineral supplements, or garbage in a manner that attracts these animals; (2) intentionally feed a moose, deer, elk, sheep, bear, wolf, coyote, fox, wolverine, or deleterious exotic wildlife, or intentionally leave human food, animal food, mineral supplements, or garbage in a manner that attracts these animals. (b) The prohibitions described in (a) of this section do not apply to the use of bait for trapping furbearers or deleterious exotic wildlife, or hunting bears under 5 AAC 92.044, or hunting wolf, fox, or wolverine with bait as described in 5 AAC 92.210, and elsewhere under 5 AAC 84 - 5 AAC 92.

5 AAC 92.230(a)(1) Feeding game \$300 Bail

Sitka Community Bear Awareness Day Report

On April 23rd 2022, Fortress of the Bear was honored to partner with the Alaska Department of Fish & Game and the National Park Service, to co-host a free bear awareness day for the Sitka community. The purpose of this community outreach event was to highlight and tackle the serious issue of bear-human conflict in our town, through educational demonstrations.

As an educational 501(c)3 non-profit bear sanctuary, this is a subject close to our hearts at Fortress of the Bear. Our resident bears proved to be a valuable resource during this event, by putting three bear resistant trash cans to the test in a public demonstration.

Three cans were loaded with beef, kibble, strawberries and peanut butter, to entice and motivate our adult brown bears into interacting with the cans. Here are the results.

Can 1: KODIAK

Bear (first test): Toby, approx. 700lb female

Can Breach: 13 minutes

Damage to can: No permanent damage to can, lock mechanism still intact and reusable.

Additional info: Toby did not damage or destroy the can to open in, but happened to flip it at just the right angle to release the magnet mechanism locking the lid, designed to work with our existing garbage pick up trucks. Likely that her access to the inside of the can was accidental!

Further testing:

Bear (second test): Nuka, approx. 500lb female

Can Breach: N/A, Nuka did not get into the can

Damage to can: None

Further testing: Kodiak can is still available for further testing or demos, if required.

Can 2: TOTER

Bear: Chaik, approx. 1000lb male

Can Breach: 7 minutes

Damage to can: Can was permanently damaged. Lock mechanism held, but side of can was caved in and lid pried up, allowing access to the contents of the can.

Further testing: Can too damaged for further testing.

Can 3: REHRIG

Bear: Lucky, approx. 1000lb male

Can Breach: 8 minutes

Damage to can: Can was permanently damaged. Sides dented, lock mechanism eventually bust, so lid fully opened. Unable to reclose.

Further testing: Can too damaged for further testing.

Conclusions

The Kodiak can withstood two different bear tests, and was the only can not permanently damaged and still fully functional after the testing. While the Toter and Rehrig put up a good fight, the Kodiak was clearly the most bear-resistant of all 3 cans tested. In a real world application, it is unlikely a wild bear would spend 10+ minutes trying to break into a can, particularly if they had grown accustomed to simple cans with no locking mechanisms, that open easily on impact to reveal trash inside. Sitka residents would still need to avoid putting trash in their cans until the morning of pickup, to reduce the sensory attractants, but bear-resistant cans would reduce the number of bears becoming habituated to and becoming reliant on human waste as a food resource.

BEFORE & AFTER

1 2 3



Residential Poly Carts WITH automatic locking lids AND designed for fully-automated waste pick-up

Image	Company	Contact Info	Testing Status	Size	Model Number Part Number	Full Shipment Order	Price per container W/O shipping	Shipping	Estimated Cost per Container
	Kodiak Products	928-636-9298 Info@Kodiak-Products.com sjsherrill@hotmail.com http://www.kodiak-products.com/	IGBC Certified	95	KP95-HDLL	280	\$314.79	\$21.43	\$336.22
			IGBC Certified	65	KP65-HDLL	368	\$306.70	\$16.30	\$323.00
	Rehrig Pacific Company	Ashley DeWalt 509-429-0738 https://www.rehrigpacific.com/recycling-waste/bear-carts/	IGBC Certified	95	12919	340	\$230.00	\$56.25	\$286.25
			IGBC Certified	65	NC-71019	480	\$215.00	\$56.25	\$271.25
	Toter	Tommy Tatham wqinfo@wastequip.com (704) 504-7523 https://www.toter.com/products/municipalities-government/fully-automated-bear-resistant-cart	IGBC Certified	96	P/N 79B96	135	\$225.00	\$100.72	\$325.72
			IGBC Certified	64	P/N 79B64	135	\$205.00	\$100.72	\$305.72

Kodiak Requires a Full Shipment as a **Minimum Order** 280 / 368

Rehrig has No Minimum Order a full shipment is 340 / 480

Toter has No Minimum Order a full Shipment is 135 / 135

Kodiak & Rehrig Shipping Quote is to **Seattle Only**

Toter Shipping Quote is to Sitka



Northland Products Inc.

Estimate

Date	Estimate No.
10/5/2022	NPI-2370

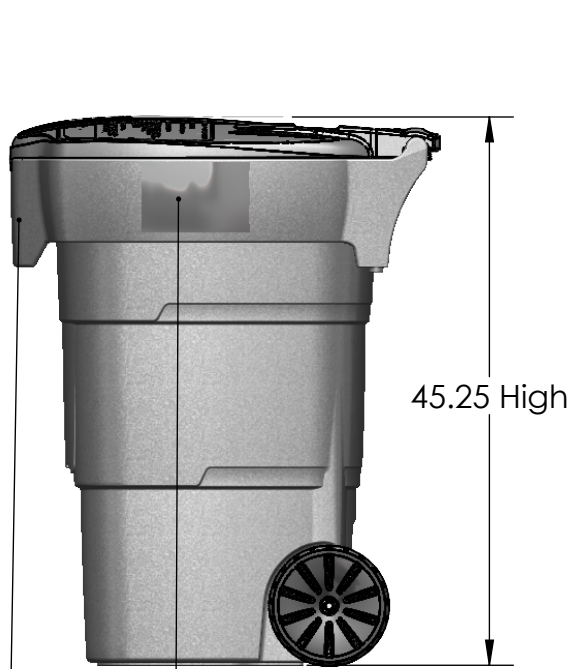
Northland Products Inc.
 2608 Spitfire Lane
 Prescott, AZ. 86301
 Phone: 928-636-9298
 Fax: 928-636-1070

Name / Address
Sitka Bear Task Force Alix Snelling 626-208-7594 alix.snelling@cityofsitka.org

Description	Qty	Cost	Project
			Total
KP95-HDLL 95 Gallon, Kodiak-Fully Automated Bear Resistant Container, with lever latch, plain black, partial assembly required.	280	\$ 314.79	\$ 88,141.20
Molded in Graphic- 9 Digit Barcode serial number (front center of container)	280	\$ 1.25	\$ 350.00
Molded in Graphic- Company Logo(Customer to supply PDF of artwork) (located on lid)-Optional (Additional 4 week lead time for first time orders) (Graphic orders have a minimum of 1000 graphics)	1000	\$ 3.25	\$ 3,250.00
Lid open instruction sticker (front center of container)	280	\$ 1.25	\$ 350.00
Freight/Shipping-Estimate (Business to business with no extra services) One truckload holds 280 containers-40 stacks, nested 7 per stack Shipping estimate provided as of today's rates only and may vary at the time of shipment. Shipping rates are not guaranteed.	1	\$ 6,000.00	\$ 6,000.00
Estimates valid for 7 days Estimated Lead time: Start Production March 2023 (Orders are processed as first come first serve, lead times may vary) Ship to: Seattle,WA (Customer is responsible for shipping from dock to AK)			
Thank you for your business!			\$ 98,091.20
Subtotal			\$ 98,091.20
Sales Tax (8.35%)			
Total			\$ 98,091.20

Fully automated bear resistant container. Tested with Grizzly bears.

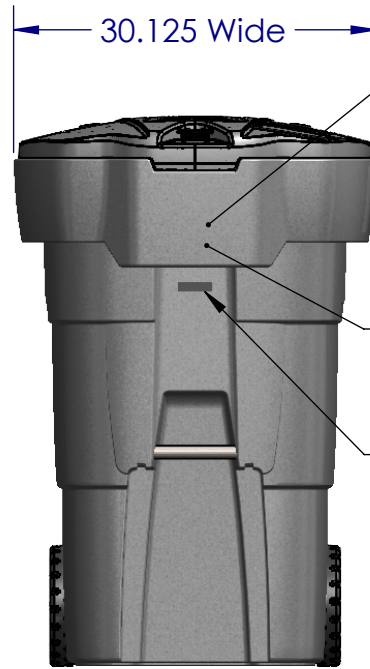
Model no. KP95-HDLL



45.25 High

6 x 9 area for custom graphic

Only one hand needed to open latch and lift the lid.

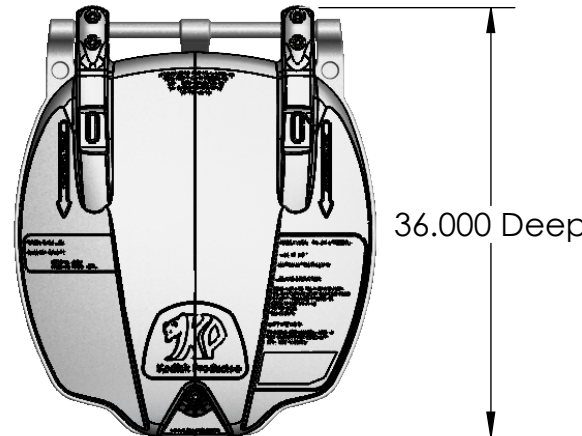


30.125 Wide

TO OPEN THE LID;
Move lever, located under the apron, from left to right.
Lever may be released before opening lid

How to open instruction graphic.

Bar code location



36.000 Deep

The upper section of the container is double walled as is the entire lid for superior strength.

Weight for the complete assembly is 56 pounds with both the container and lid being rotationally molded for long lasting durability.

The 2" x 10" wheels are rotationally molded and mounted to a 3/4" zinc chromate plated solid steel axle and will withstand 200 lbs. each.

IGBC Certification number
5397

95 gallon nesting ratio = 7



Northland Products Inc.

Estimate

Date	Estimate No.
10/5/2022	NPI-2373

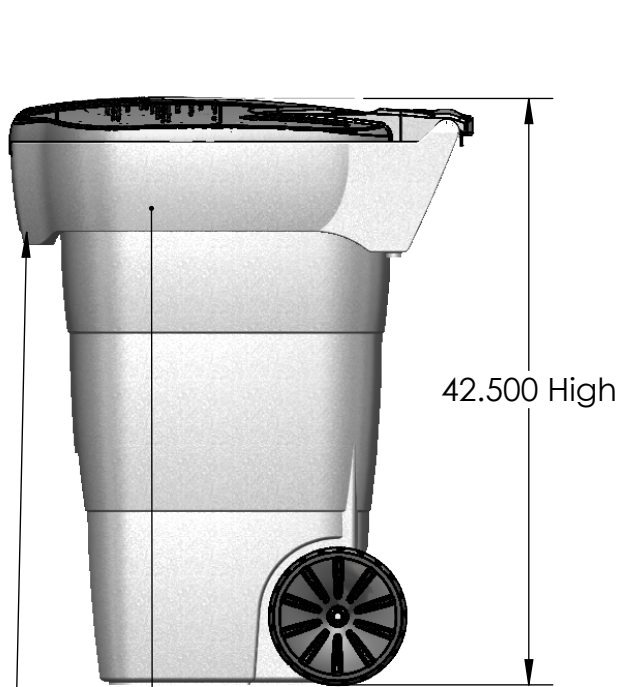
Northland Products Inc.
 2608 Spitfire Lane
 Prescott, AZ. 86301
 Phone: 928-636-9298
 Fax: 928-636-1070

Name / Address
Sitka Bear Task Force Alix Snelling 626-208-7594 alix.snelling@cityofsitka.org

Description	Qty	Cost	Project
			Total
KP65-HDLL 65 Gallon, Kodiak-Fully Automated Bear Resistant Container, with lever latch, plain black, partial assembly required.	368	\$ 306.70	\$ 112,865.60
Molded in Graphic- 9 Digit barcode serial number (front center of container)	368	\$ 1.25	\$ 460.00
Molded in Graphic- Company Logo(Customer to supply PDF of artwork) (located on lid)-Optional (Additional 4 week lead time for first time orders) (Graphic orders have a minimum of 1000 graphics)	1000	\$ 3.25	\$ 3,250.00
Lid open instruction sticker (front center of container)	368	\$ 1.25	\$ 460.00
Freight/Shipping-Estimate (Business to business with no extra services) One truckload holds 368 containers-46 stacks, nested 8 per stack) Shipping estimate provided as of today's rates only and may vary at the time of shipment. Shipping rates are not guaranteed.	1	\$ 6,000.00	\$ 6,000.00
Estimates valid for 7 days Estimated Lead time: Start Production Jan 2023 (Orders are processed as first come first serve, lead times may vary) Ship to: Seattle,WA(Customer is responsible for shipping from dock to AK)			
Thank you for your business!			\$ 123,035.60
		Subtotal	
		Sales Tax (8.35%)	
		Total	\$ 123,035.60

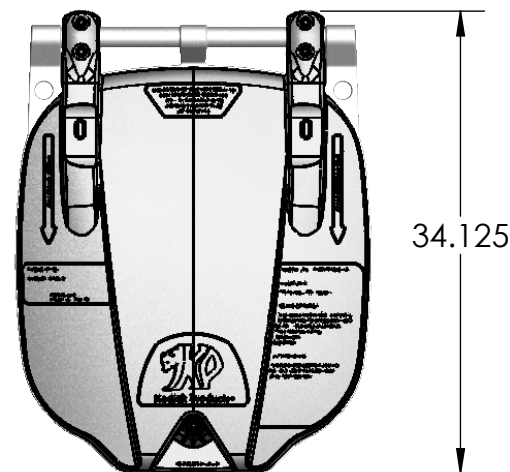
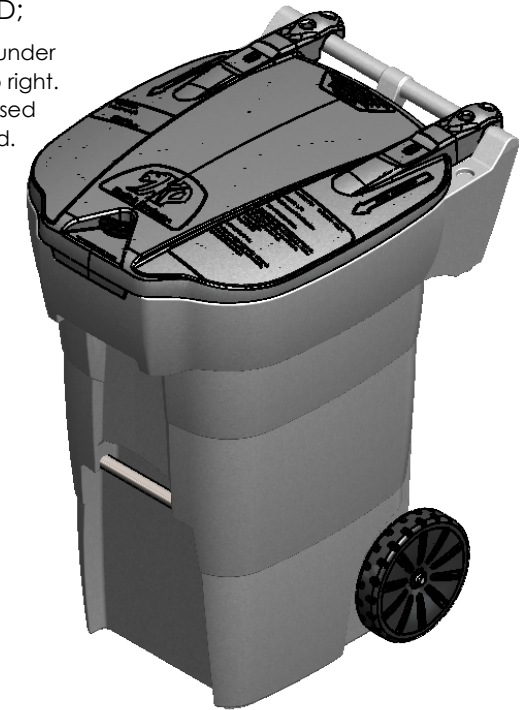
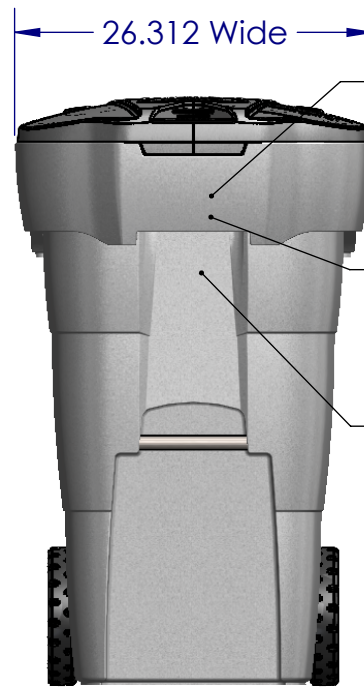
Fully automated bear resistant container. Tested with Grizzly bears.

Model no. KP65-HDLL



6 x 9 area for custom graphic

Only one hand needed to open latch and lift the lid.



The upper section of the container is double walled as is the entire lid for superior strength.

Weight for the complete assembly is 46 pounds with both the container and lid being rotationally molded for long lasting durability.

The 2" x 10" wheels are rotationally molded and mounted to a 3/4" zinc chromate plated solid steel axle and will withstand 200 lbs. each.

65 gallon nesting ratio = 8

IGBC Certification number
5396



Locations:

1000 Raco Court, Lawrenceville, GA 30046
 625 West Mockingbird Lane, Dallas, TX 75247
 1738 W. 20th St, Erie, PA 16502
 7452 Presidents Dr, Orlando, FL 32809

8875 Commerce Dr, DeSoto, KS 66018
 7800 100th St, Pleasant Prairie, WI 53158
 4010 East 26th St, Los Angeles, CA 90058

Proposal

Proposal #: BC 100522

October 5, 2022

Bill-to: City of Sitka 100 Lincoln Street Sitka, AK 99835	Ship-to: City of Sitka 100 Linclon Street Sitka, AK 99835
Billing Contact: Alix Snelling 626-208-7594 aliz.snelling@cityofsitka.org	Shipping Contact: Alix Snelling 626-208-7594 aliz.snelling@cityofsitka.org

ITEM DESCRIPTION	QUANTITY	Total Unit Price	EXTENDED PRICE
Rollout Cart Type: 95 Gallon Bear Cart - Garbage Body Color Requested: Black Lid Color Requested: Black Wheels / Casters: 10" Snap on with Intergrated Spacer	1,600	\$230.00	\$ 368,000.00
Rollout Cart Type: 65 Gallon Bear Cart - Garbage Body Color Requested: Black Lid Color Requested: Black Wheels / Casters: 10" Snap on with Intergrated Spacer	1,600	\$215.00	\$ 344,000.00
Is Product Taxable? No Is Freight taxable? No Tax Rate: EXEMPT Terms: Cash, Check, Credit Card (Visa or MC or AmEx) Up Front ***		Subtotal = Tax on Product = Freight (subject to change) Tax on Freight = Total =	\$ 712,000.00 180,000.00 \$ 892,000.00

ADDITIONAL INFORMATION:	
Contract Options: None	
Ship From: LA Facility	
Leadtime: TBD	
Cart Warranty: 5 year unprorated warranty	
Quote Valid: 30 Days	
Taxes: All applicable taxes shall be paid by the Buyer unless a proper exemption is provided and validated.	
*** Credit Card transactions are subject to a 2% processing fee.	

PRESENTED BY:	ACCEPTED BY:
 Ashley DeWalt Date: 10/5/2022 Ashley DeWalt Northwest Territory Manager (509)-429-0738 adewalt@rehrig.com	Sign and Print Name _____ Date _____ Title: _____
<i>To initiate order, please call or send signed proposal via fax or email to Presented By representative.</i>	

95 Gallon Fully-Automated Bear Resistant Roll Out Cart

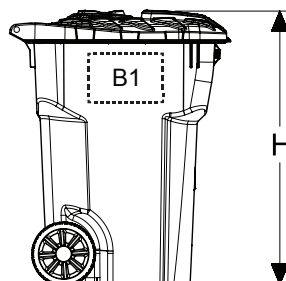
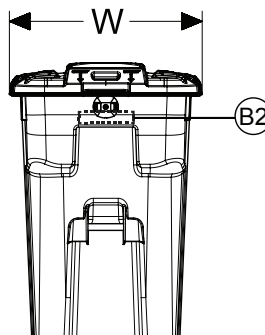
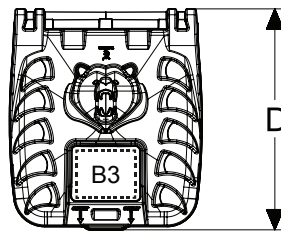


Features & Benefits

- IGBC Certified bear resistant
- WildSafe BC Certified Bear Resistant
- ANSI Certified, with all standard components, to limit risk and liability for both the purchaser and end user; Improved cart stability vs. competing FA and SA options
- Full, Non-Prorated, 3-Year Warranty to protect your investment
- "Ready-To-Roll" Design - Lids, Locks, Catch Bars, and Body are fully assembled upon delivery; Assembly time for wheels and axles averages less than 10 seconds per container
- Textured body offers optimum gripping surface for fully-automated collection
- Safe and Strong - Robust design is lightweight making it easy and safe for humans to maneuver, yet extremely difficult for bears to compromise
- Limited exposed metal - mitigates potential end-user injuries, reduces container damage in-transit/in-field, and effectively prevents bears from accessing containers by limiting options for access via biting/clawing/bending/twisting
- Designed with all users in mind - ergonomic locking mechanism allows container to easily be opened by humans with one hand, but prevents bears from opening with claws, paws, and teeth
- Carts are shipped with lids already attached reducing assembly time
- One piece blow-molded wheels snap on (BMSO) with integrated spacers, taking seconds to assemble
- Barcodes and serial numbers are clearly visible when containers are stacked for ease in inventory management
- RFID Tag Enabled option provides innovative asset and participation tracking programs powered by Vision®

Specifications	IN/LB	CM/KG
Capacity (Gallons/Liters)	95 Gal	360 L
Overall Depth (D)	34.5	87.6
Overall Width (W)	30.25	76.8
Overall Height (H)	42.75	108.5
Weight	45.0	20.4
53' Trailer Quantity	385	

Decoration Areas	WIDTH (IN)	HEIGHT (IN)
Side Brand - Hot Stamp (B1)	11.5	7.5
Barcode & Serial Number (B2)	9.75	1.25
Lid Brand - Hot Stamp or Label (B3)	10.0	8.5



Corporate Headquarters
4010 East 26th St., Los Angeles, CA 90058
(800) 421-6244 • (323) 262-5145

Locations
Los Angeles, CA • Orlando, FL • Atlanta, GA • De Soto, KS
Erie, PA • Dallas, TX • Kenosha, WI • Quebec, Canada
Querétaro, Qro., Mexico

Web: www.rehrigpacific.com

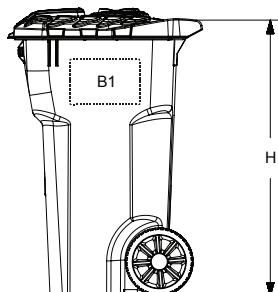
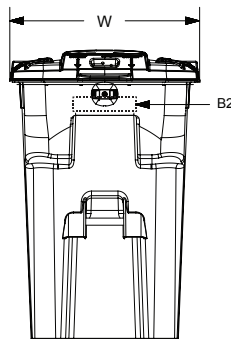
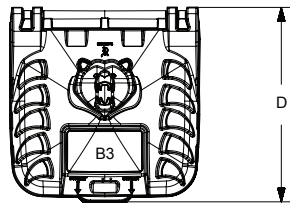


65 Gallon Fully-Automated Bear Resistant Roll Out Car



Specifications	IN/LB	CM/KG
Capacity (Gallons/Liters)	65 Gal	246 L
Overall Depth (D)	28.72	72.94
Overall Width (W)	28.04	71.22
Overall Height (H)	42.60	108.20
Weight	38.25	17.34
53' Trailer Quantity	936	

Decoration Areas	WIDTH (IN)	HEIGHT (IN)
Side Brand - Hot Stamp (B1)	11.5	7.5
Barcode & Serial Number (B2)	9.75	1.25
Lid Brand - Hot Stamp or Label (B3)	10.25	6.0



Features & Benefits

- IGBC Certified Bear Resistant
- ANSI Certified, with all standard components, to limit risk and liability for both the purchaser and end user; Improved cart stability vs. competing FA and SA options
- "Ready to Roll" Design – lids, locks, catch bars, and body are fully assembled on delivery; One-piece blow molded snap on (BMSO) wheels with integrated spacers takes only seconds to attach for deployment
- Textured body offers optimum gripping surface for fully-automated collection
- Barcode & Serial Number imprinted to facilitate A&D distribution and manual inventory control and work order tracking; completely visible/scannable, even when carts are stacked
- External, enclosed catch bar allows for the cart to have a smooth inside without holes to mitigate leaking and seepage for high-liquid applications.
- Safe and Strong – Robust design is lightweight, making it easy and safe for humans to maneuver, yet extremely difficult for bears to compromise
- Limited exposed metal – mitigates potential end-user injuries, reduces container damage in-transit/in-field, and effectively prevents bears from accessing containers by limiting options for access via biting/clawing/bending/twisting
- Designed with all users in mind – ergonomic locking mechanism allows container to easily be opened by humans with one hand, but prevents bears from opening with claws, paws, and teeth
- Carts are shipped with lids already attached, reducing assembly time
- Barcodes and serial numbers are clearly visible when containers are stacked for ease in inventory management
- RFID Tag Enabled option provides innovative asset and participation tracking programs powered by Vision®

Corporate Headquarters
4010 East 26th St., Los Angeles, CA 90058
(800) 421-6244 • (323) 262-5145

Locations
Los Angeles, CA • Orlando, FL • Atlanta, GA • De Soto, KS
Erie, PA • Dallas, TX • Kenosha, WI • Quebec, Canada
Querétaro, Qro., Mexico

Web: www.rehrigpacific.com



A FAMILY TRADITION OF GROWTH, SERVICE AND INNOVATION





1661 Frontera Rd, Del Rio, TX, 78840

PHONE: 800-424-0422 FAX: 833-930-1124

WQ-10250812

Sell To:

Contact Name	Alix Snelling	Ship To Name	City of Sitka
Bill To Name	City of Sitka	Ship To	100 Lincoln St
Bill To	100 Lincoln St Sitka, AK 99835-7594 USA		Sitka, AK 99835-7594 USA
Email	alix.snelling@cityofsitka.org		
Phone	6262087594		

Quote Information

Salesperson	Tina Rainwater	Created Date	10/13/2022
Salesperson Email	trainwater@wastequip.com	Expiration Date	10/27/2022
		Quote Number	WQ-10250812
			Please Reference Quote Number on all Purchase Orders

Product	Product Description	Selected Option	Quantity	Sales Price	Total Price
**Plastics - 79B64	Model 79B64 - Toter 64 Gallon EVR II Bear Tight Cart	---Body Color - Any Standard Color ---Lid Color - Any Standard Color ---Wheels - 10in Sunburst ---Toter Serial Number Hot Stamped on Front of Cart Body in White ---Fully Assembled Ready-to-Roll (Lids Down)	1,600.00	\$205.00	\$328,000.00
**Plastics - 79B96	Model 79B96 - Toter 96 Gallon EVR II Bear Tight Cart	---Body Color - Any Standard Color ---Lid Color - Any Standard Color ---Wheels - 10in Sunburst ---Toter Serial Number Hot Stamped on Front of Cart Body in White ---Fully Assembled Ready-to-Roll (Lids Down)	1,600.00	\$225.00	\$360,000.00

Payment Terms	Net 30 Days if credit has been established	Subtotal	\$688,000.00
Shipping Terms	FOB Origin	Shipping	\$322,296.00
		Tax	\$0.00
		Grand Total	\$1,010,296.00

Additional Information

Additional Terms Our Quote is a good faith estimate, based on our understanding of your needs. Subject to our acceptance, your Order is an offer to purchase our Products and services in accordance with the Wastequip Terms & Conditions of Sale ("WQ T&C") located at: <https://www.wastequip.com/terms-conditions-of-sale>, as of the date set forth in Section 1(b) of the WQ T&C, which are made a part of this Quote. These WQ T&Cs may be updated from time to time and are available by hard copy upon request.

Additional Information Pricing is based on your anticipated Order prior to the expiration of this Quote, including product specifications, quantities and timing, accepted delivery within 45 days of Order acceptance by Toter. Any differences to your Order may result in different pricing, freight or other costs. Due to volatility in petrochemical, steel and related Product material markets, actual prices and freight, are subject to change. We reserve the right, by providing notice to you at any time before beginning Product manufacturing, to increase the price of the Product(s) to reflect any increase in the cost to us which is due to any factor beyond our control (such as, without limitation, any increase in the costs of labor, materials, or other costs of manufacture or supply). Unless otherwise stated, materials and container sizes indicated on sales literature, invoices, price lists, quotations and delivery tickets are nominal sizes and representations – actual volume, Products and materials



Bear Resistant Cart

Toter Bear Resistant Carts are built to withstand the toughest bears! Our carts are constructed with our Advanced Rotational Molding™ process that creates an extremely durable trash can. We've armed them with a rugged rim to help prevent chewing, a double-walled lid, beefier handle and hinge and eliminated pry points, which makes them tough enough to withstand the strongest claws and jaws!

MODEL#	Size	Dimension(LxWxH)	Weight	Wheel Size	Color
79A64	64 gal.	32.3" x 25.2" x 45.5"	43.9 lbs.	10"	Black ●
79A96	96 gal.	36.3" x 30.2" x 45.5"	52.4 lbs.	10"	Black ●

- Improves routing and collection efficiencies due to compatibility with both fully-automated and semi-automated applications
- Safe and robust design is easy to maneuver, yet extremely difficult for bears to compromise.
- Strength is enhanced due to structural capabilities like Rugged Rim® and sealed stop bar journals
- Ready to roll design: lids, locks, stop bars, and body are fully assembled upon delivery
- Cost effective solution for communities seeking to bear proof their waste management program
- Interagency Grizzly Bear Committee's (IGBC) bear-resistant certification**



Rugged Rim Design



Recessed Auto Gravity Lock



Easy maneuverability



Rugged hinge



Increased radius to help prevent chewing

Features:

- 5 year warranty
- Corrosion and chemical resistant
- Color options
- UV stable
- RFID
- Space for graphics



IGBC Certification Number 5416

**IGBC certification is applicable for the 64 gallon cart only.